



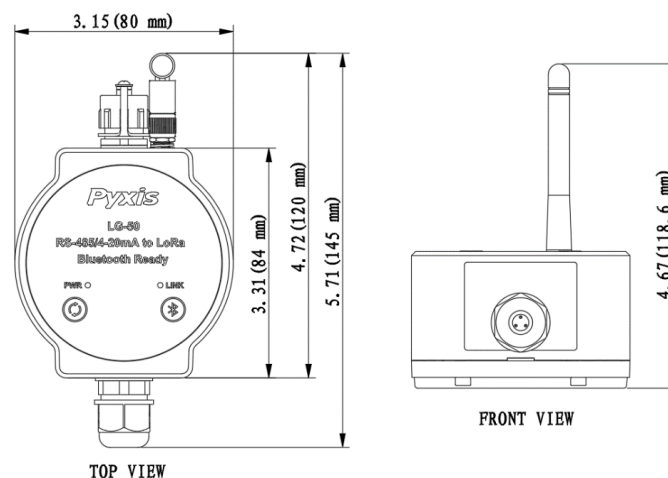
## LG-50 Modbus/AI/DI to LoRa Converter

### Procedure

The LG-50 is a unique wireless transmitter designed to collect local signals from Pyxis sensors and third-party devices as direct terminal (flying lead) wires via RS485 Modbus, 4-20mA input and digital input (i.e. dry contact, NPN or PNP signal inputs), and send them via Long Range Radio (LoRa) to a remote device such as the Pyxis 4G Gateway, Pyxis LG-100 or LG-200 LoRa receivers. The Pyxis LG-50 is also capable of passing through a 4-20mA signal to a local controller.

The LG-50 can be configured wirelessly via the Pyxis uPyxis<sup>®</sup> App for rapid integration and deployment in the field. Powered by a 24 VDC external power supply, the LG-50 is ideally suited for use with LG-100, LG-200 or Pyxis 4G Gateway to offer you a versatile and cost-effective IoT solution.

### Dimensions (mm)



## Sensor Specifications

<b>Item</b>	<b>LG-50</b>
Part Number	24817
Power Supply	24VDC, 1W MAX (No Sensor Included)
Bluetooth® Connection	Bluetooth® 5.0 4.1, 32 ft. (10 Meters) Line of Sight for use with uPyxis®
Radio Output	Long Range Radio (LoRa)
Wired Input	(1) 4–20mA, RS-485 Modbus, PNP or NPN Digital Input
Output Cable	Waterproof 7-PIN (10ft / 3m) Cable with Adapter & Flying Lead
Extension Cable	Waterproof Extension Cables SOLD SEPARATELY
Installation	Wall Mounting Bracket
Dimension	4.67 inch (118.6 mm) H; 5.71 inch (145 mm) L; 3.15 inch (80mm) W
Enclosure Material	Polybutylene Terephthalate (PBT), Polycarbonate (PC)
Ambient Temperature	5–122 °F (-15–50 °C)
Storage Temperature	-4–140 °F (-20–60 °C)
Pressure	-29–58 PSI, Polycarbonate (PC)
Enclosure Rating	IP66
Regulation	FCC/CE/RoHS/UKCA
Wireless Cert. FCC ID	2BAJ2-LSR

### **Order Information**

LG-50 (Includes 10ft Flying Lead)

### **Part Number**

24817

### **Accessories Order Information**

LG-MB-W002 Wall Mounting Bracket for LG-Series

26118

MA-L10 Replacement 10' Flying Lead Cable

MA-L10

MA-AC-7US 110VAC-24VDC Wall (USA) Outlet Adapter

26398

MA-AC-7EU 230VAC-24VDC Wall (EU) Outlet Adapter

28787

25' Waterproof Extension Cable

MA-L25

50' Waterproof Extension Cable

MA-L50

100' Waterproof Extension Cable

MA-L100