



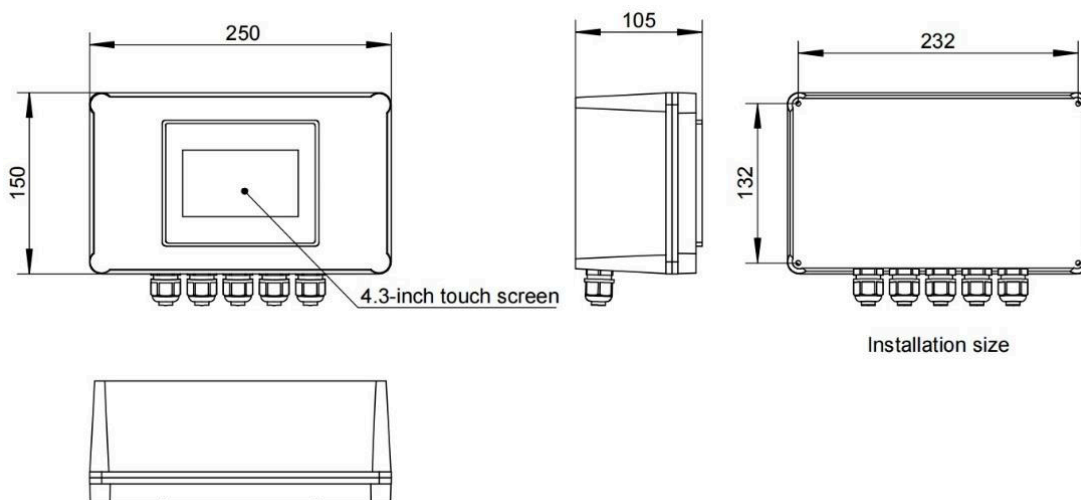
UC-80 Series Touch Screen Display & Data Logging Terminal

Product Description

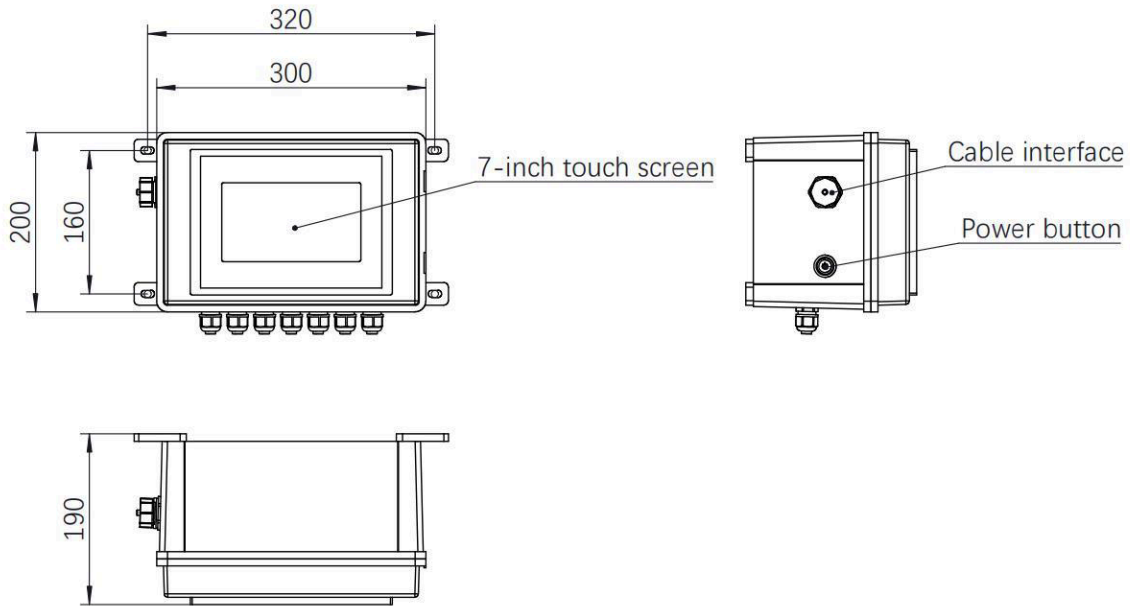
The UC-80 is a microprocessor-based 4.3-inch capacitive touch screen display and data logging terminal that can connect to up to 4 Pyxis sensors via RS-485. The UC-80 will be preconfigured by Pyxis Lab based on the Pyxis sensor utilized and enables rapid deployment and startup. The UC-80 provides live display and historical data trend charts for each sensor input as well as sensor calibration interface while logging data for of all inputs via USB download or transmission via Modbus RTU and/or Modbus TCP. The UC-80 may be installed as a stand-alone device or directly wired to any receiving controller, PLC or DCS network.

In addition to the above features, the UC-80-PLUS has a larger 7-inch touch screen, as well as 8x 4-20 mA outputs, 4x 4-20 mA inputs and LORA functions. The UC-80 and UC-80-PLUS contain the Pyxis 4G CloudLink™ and global SIM card as a comprehensive data gateway to cloud device for live mobile APP trend view, data download and reporting. Contact us at order@pyxis-lab.com for details.

UC-80 Dimensions (mm)



UC-80 PLUS Dimensions (mm)



Specifications

Item	UC-80	UC-80 Plus
Part Number	14003	72875
Display	4.3" LCD Color Industrial Capacitive Touch Screen	7" LCD Color Industrial Capacitive Touch Screen
Output	(2) 4-20mA; (2) RS-485 Modbus RTU + TCP	(8) 4-20mA; (2) RS-485 Modbus RTU + TCP
Input	(2) 4-20mA; (2) RS-485 Modbus RTU	(4) 4-20mA; (2) RS-485 Modbus RTU
LoRa™	NOT INCLUDED	INCLUDED
Dimensions	250mm H x 150mm W x 100mm D	300mm H x 200mm W x 190mm D
Approximate Weight	~5kg	~7kg
Measurement Interval	Continuous Measurement	
Storage Capacity	Built-In 128MB of RAM for Storing up to 1 Million Data/Event Records	
Power Requirement	96–260VAC / 50–60Hz; 60W	
USB	(1) USB Host for Data Downloading and Screen Upgrade	
Relay	(2) 24VDC Relays (Passive Output or Active Output - User Selected)	
Panel Op. Temperature	40–113 °F (4–45 °C)	
Storage Temperature	Instrument: -4–131 °F (-20–55 °C)	
Sample Water Temp.	40–104 °F (4–40 °C)	
Rating	IP-64	
Regulation	CE/RoHS	
Relative Humidity	20–90% (No Condensation)	
Altitude	<6,561ft (<2,000m)	
Pyxis 4G LTE CloudLink	Included & Activated on Request with Enrollment - Contact Pyxis Lab	

Order Information

UC-80 Display & Data Logging Terminal

UC-80 Plus Display & Data Logging Terminal

Part Number

14003

72875