

FR-300-03

Quick Brush Replacement Tool For FR-300-PLUS Flow Reservoir



Product Description

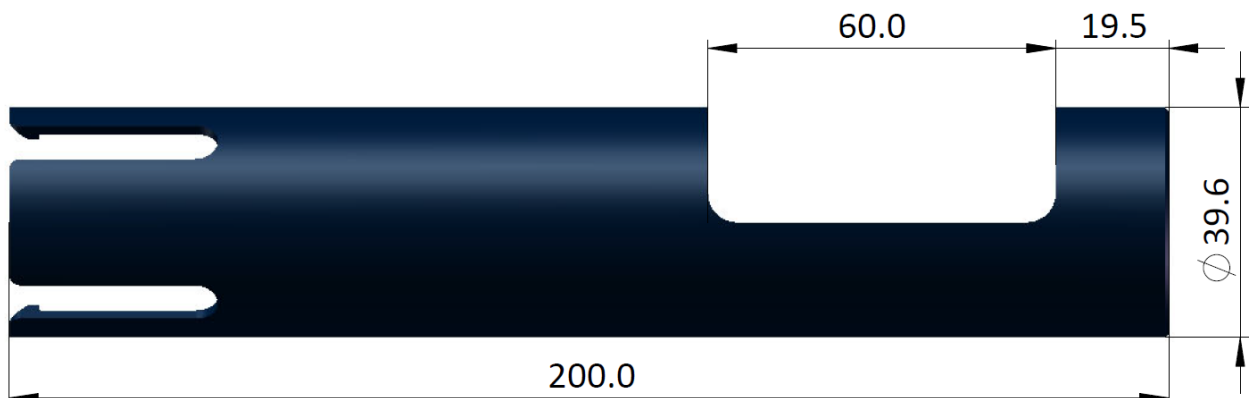
The Pyxis FR-300-03 is a brush extraction tool specifically designed for use with the FR-300-PLUS brushing flow reservoir on the Pyxis OxiPanel Industrial series of analyzers including OxiPanel, OxiPanel PLUS and OxiPanel PLATINUM. The tool's straightforward and user-friendly design eliminates the need to disassemble the FR-300-PLUS for brush removal on Pyxis OxiPanel units, allowing for rapid removal and replacement of the brush assembly. This design significantly reduces the time required for brush replacement. ****NOTE* This tool may only be used on FR-300-PLUS devices with the latest brush head assembly design including serial # 240089 and after.**

Specifications

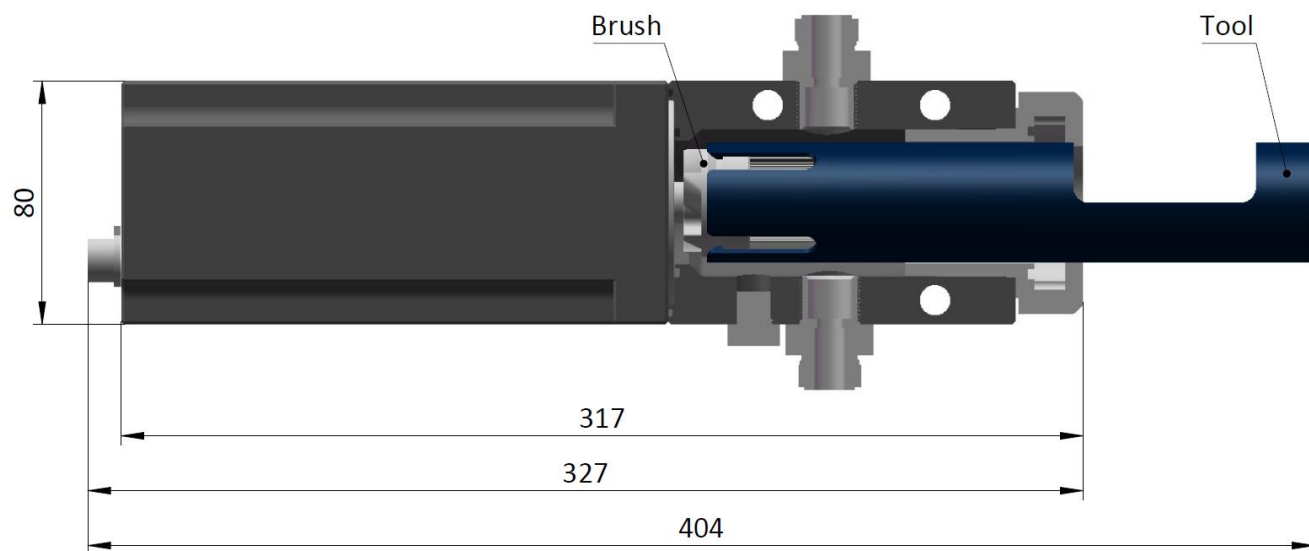
Item	FR-300-03
P/N	23504
Description	Tool for Changing FR-300-PLUS Brush
Material	UPVC
Storage Temperature	-7 °C – 60 °C (20 – 140 °F)
Operating Temperature	4 °C – 49 °C (40 – 120 °F)
Dimension (L x W x H)	Length 7.9 inch (200 mm), body diameter 1.6 Inch (39.6 mm)
Weight	43.7 g (0.01lbs)

NOTE – Pyxis Lab specifications are subject to change without notice. Contact service@pyxis-lab.com for any questions.

FR-300-03

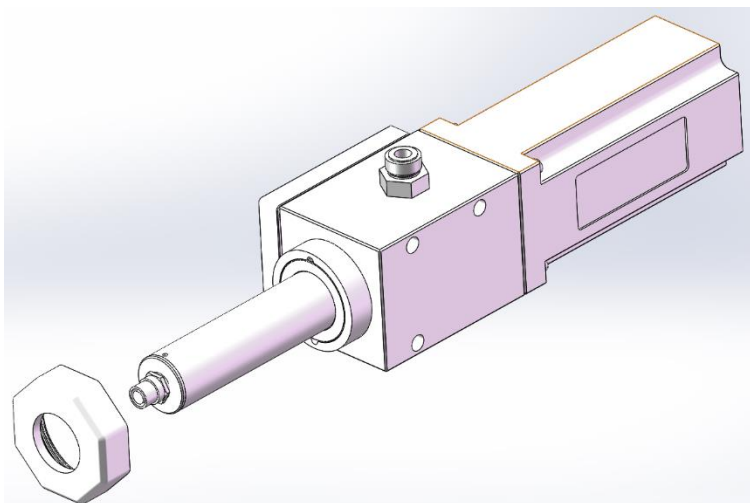


FR-300-03 Replacement Brushing Assembly Dimensions (mm) & Image

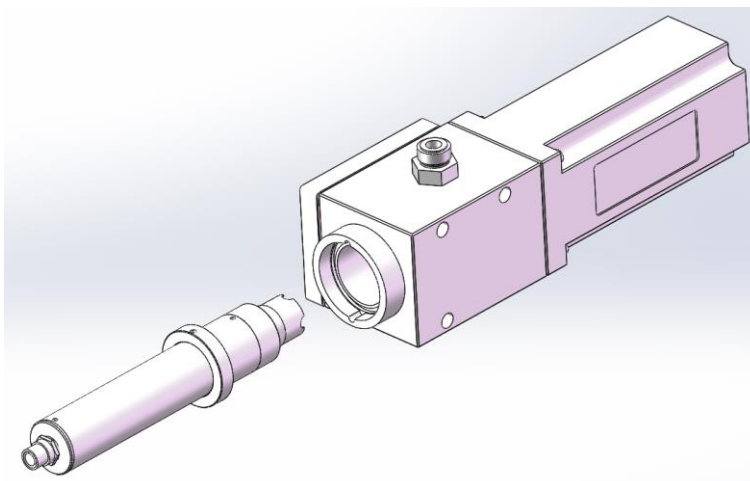


Tool Operating Instructions

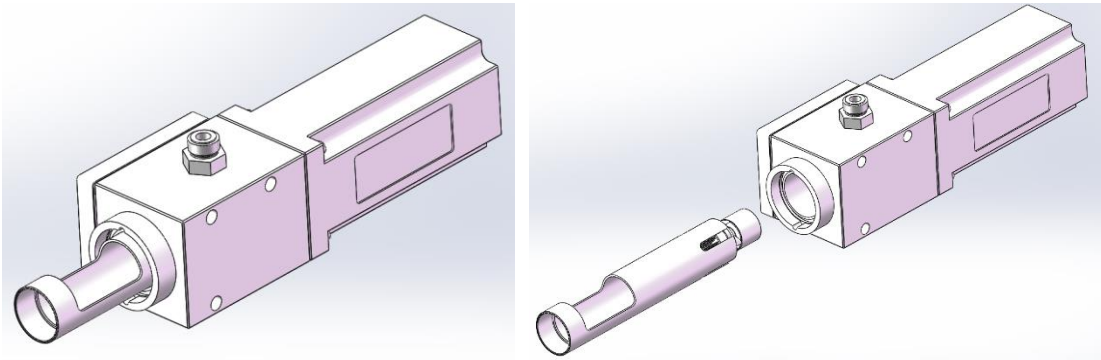
Step 1. Remove the sensor retaining nut.



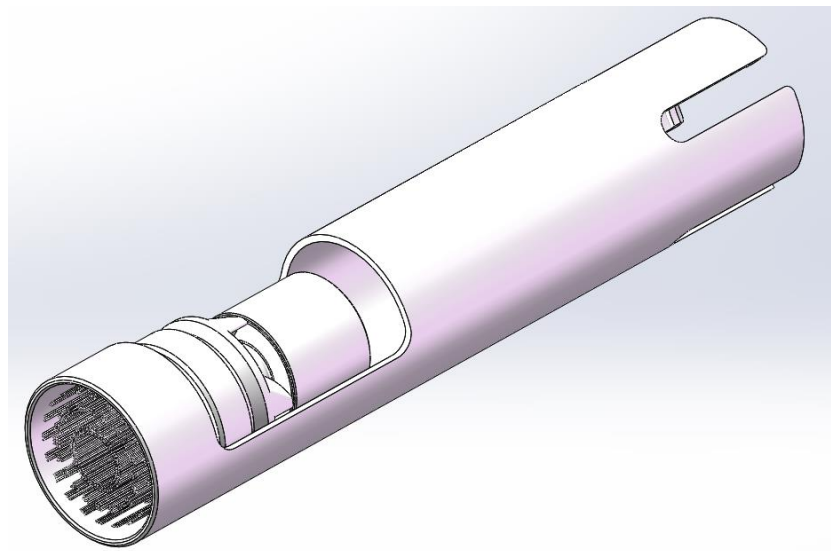
Step 2. Remove the sensor.



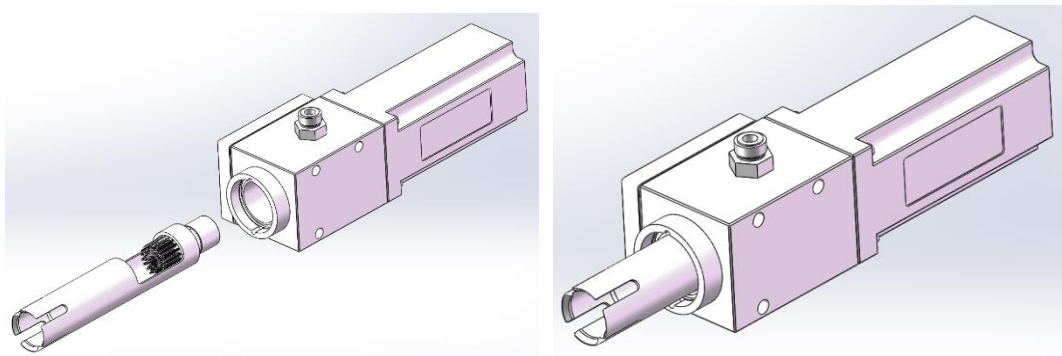
Step 3. Insert the extraction tool with the slotted end first until the head of the tool snaps onto the collar of the brush.



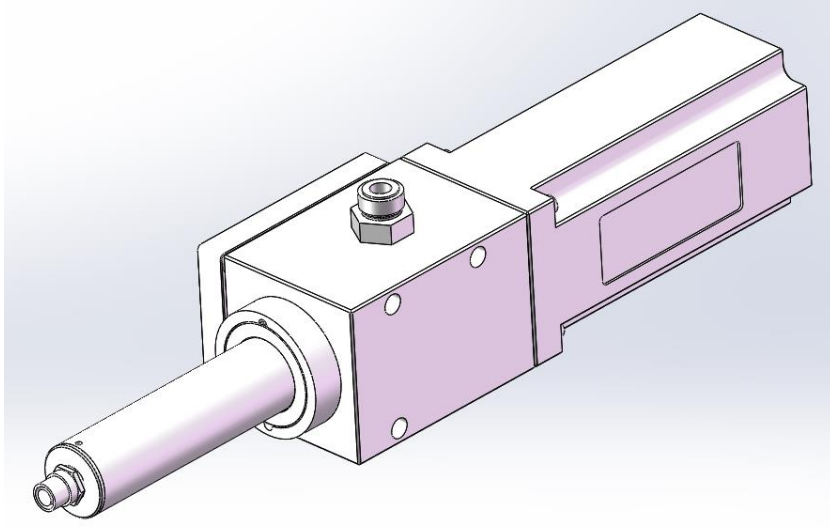
Step 4. Remove the brush when it reaches the tool grooved opening.



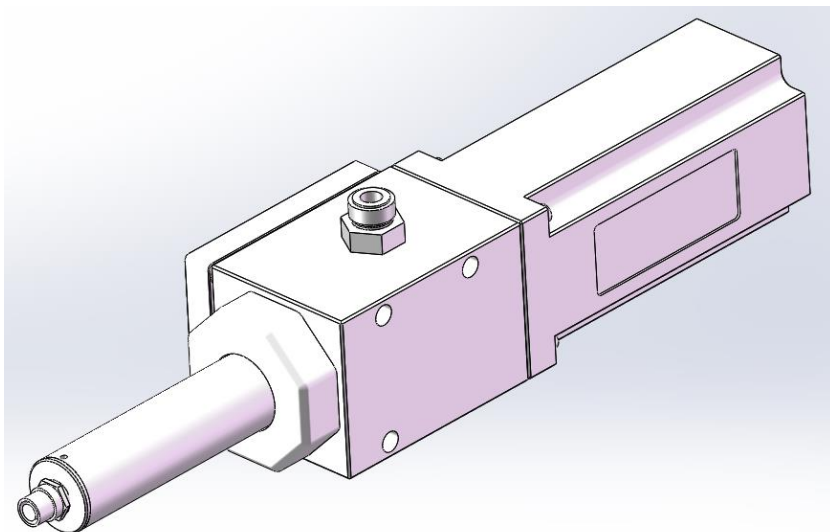
Step 5. Fit the new brush in the tapered end position of the tool as shown in the picture and insert it into the hole, gently press on the tool until the brush has been adequately installed onto the drive shaft of the brush motor within the flow assembly, then remove the tool. Your brush has been replaced.



Step 6. Reinstall the sensor to the position as shown in the picture.



Step 7. Reinstall the sensor retaining nut to the position shown in the picture.



Order Information

FR-300-03 (*Brush Extraction/Replacement Tool for FR-300-PLUS*)

P/N

23504