

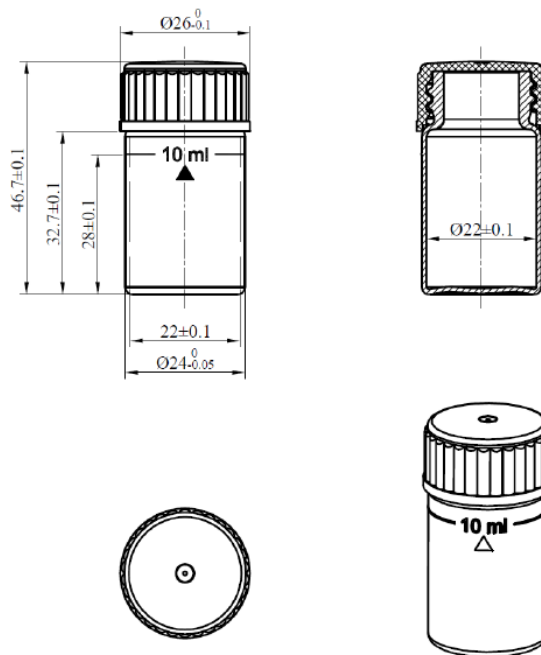
# Glass Vials for SP-910 / SP-800 / EM-900

Pyxis offers selection of vials to suit your water quality analysis needs both in the field and lab. They can be applied in colorimetric methods, turbidity test as well as fluorescence testing including PTSA and fluorescein.

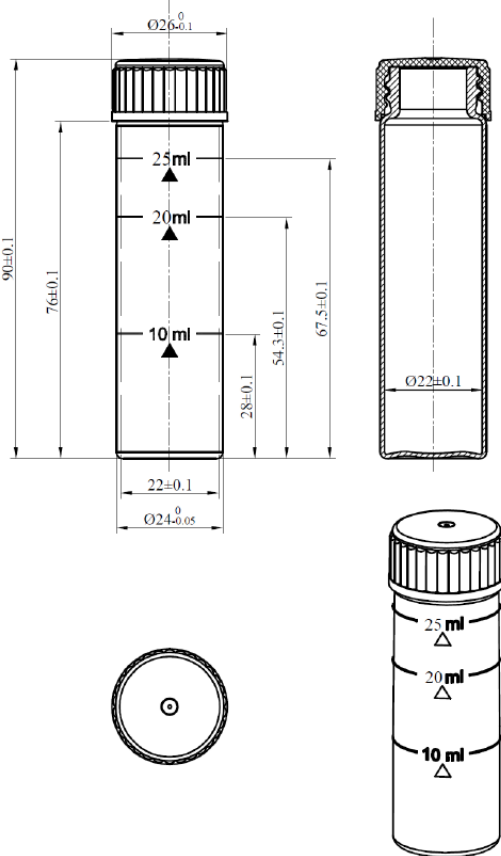
These vials are specially designed and manufacture for anti-scratching, highly consistence path length and background fluorescence free. All these features make the idea for application in industrial water analysis, surface water monitoring and oil in water testing.



## MA-024 Sample Vial Dimensions



### MA-025 Sample Vial Dimensions



### Order Information

- 10 ml sample vial
- 25 ml sample vial
- Pack of six (6) 10ml sample vials

- P/N: MA-024
- P/N: MA-025
- P/N: 50713

Rev. 1.0 Mar. 27, 2017. All right reserved by Pyxis Lab, Inc.